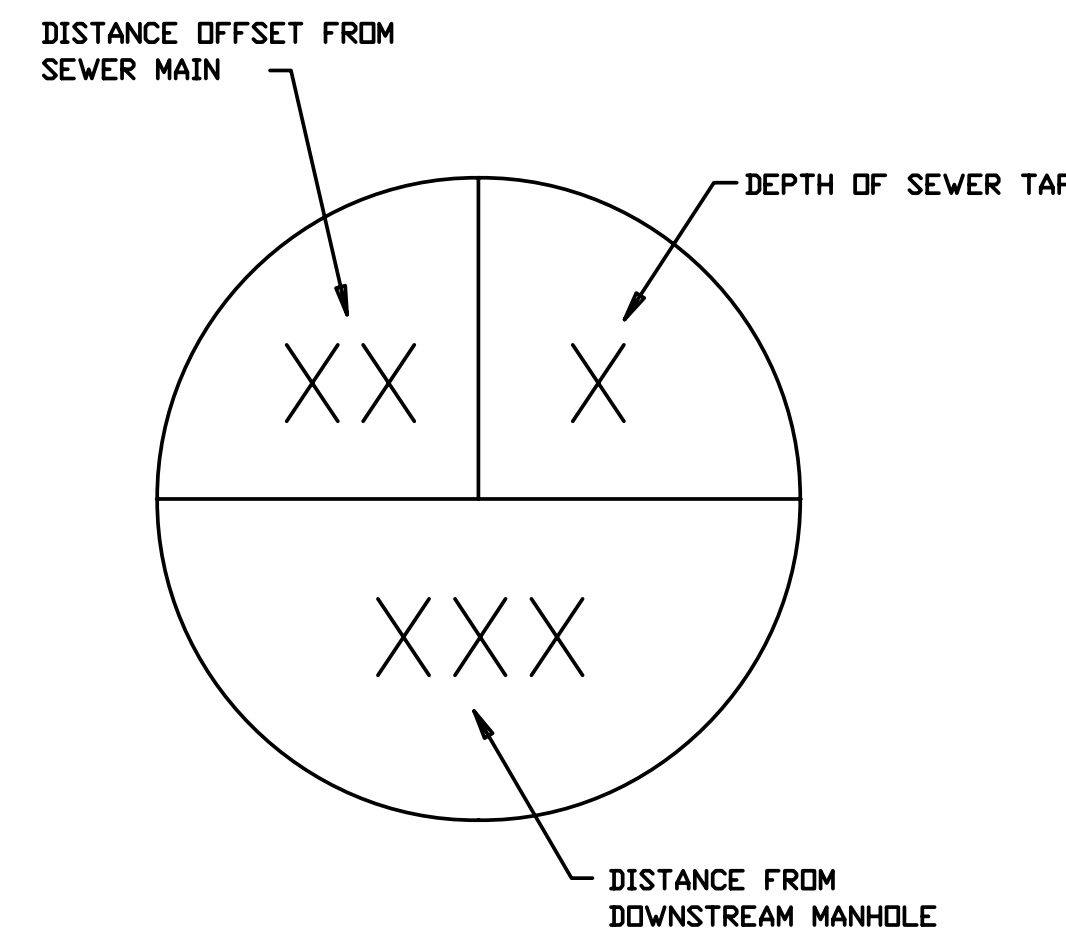
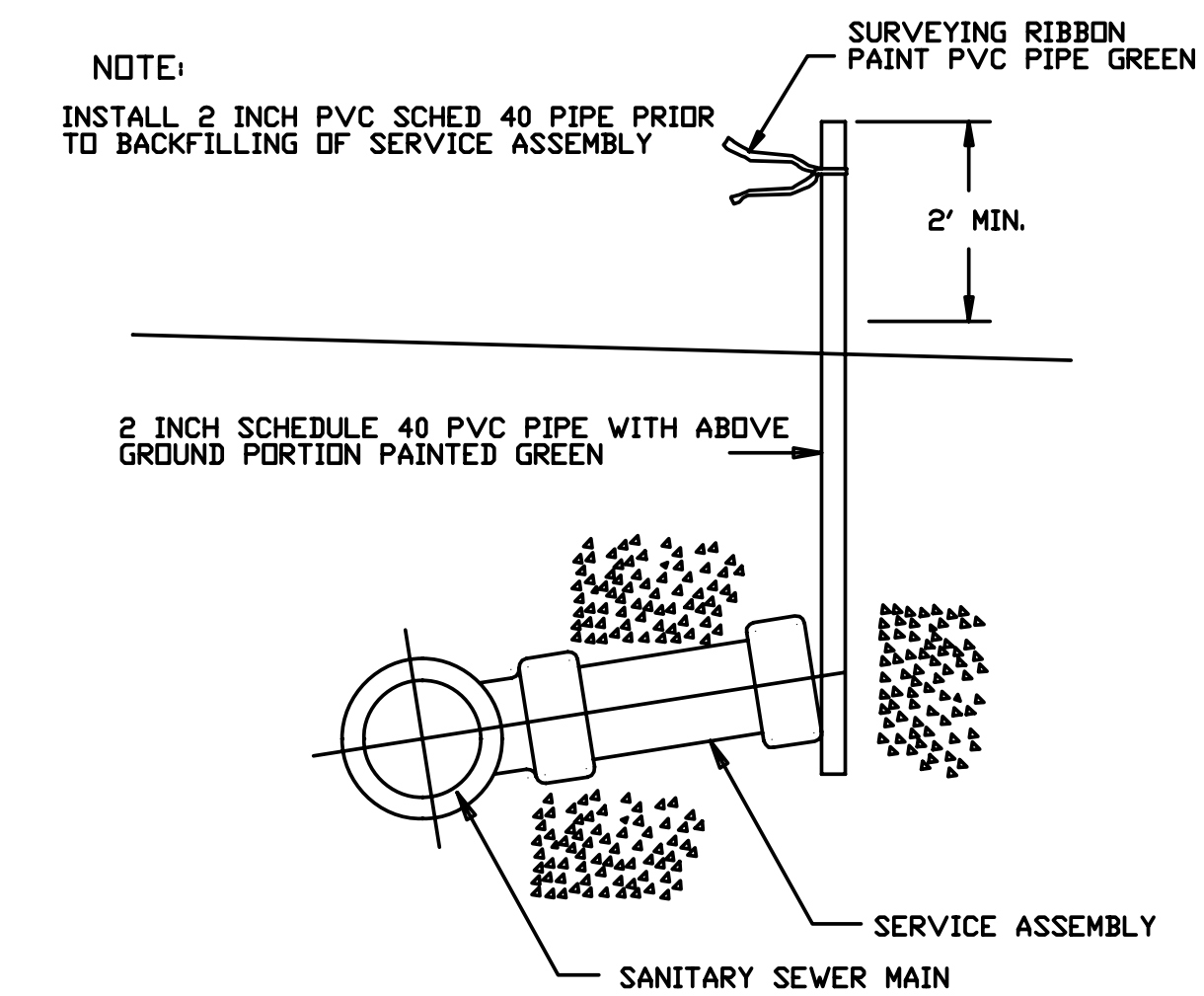


Concrete kicker to be allowed to set prior to backfilling

DROP MANHOLE DETAIL



SEWER SERVICE LOCATION SYMBOL

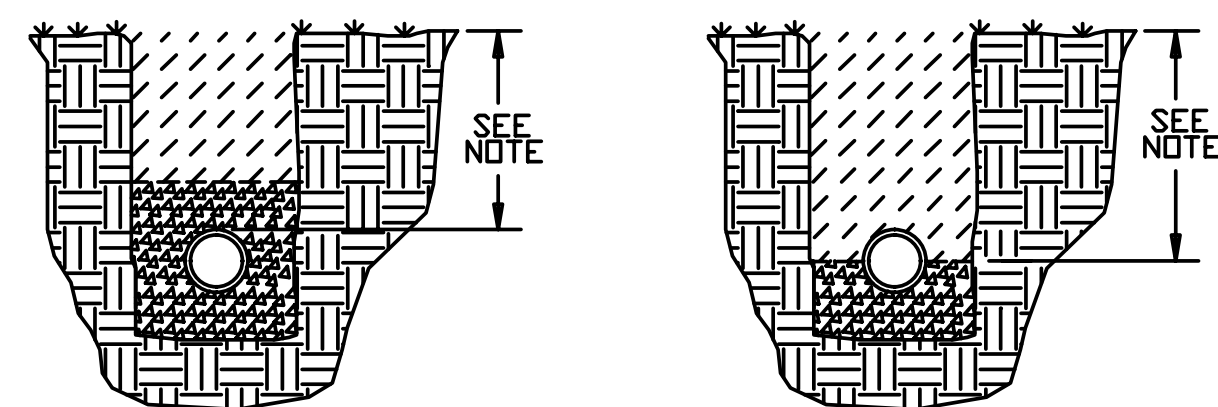


SEWER SERVICE ASS'Y. LOCATION

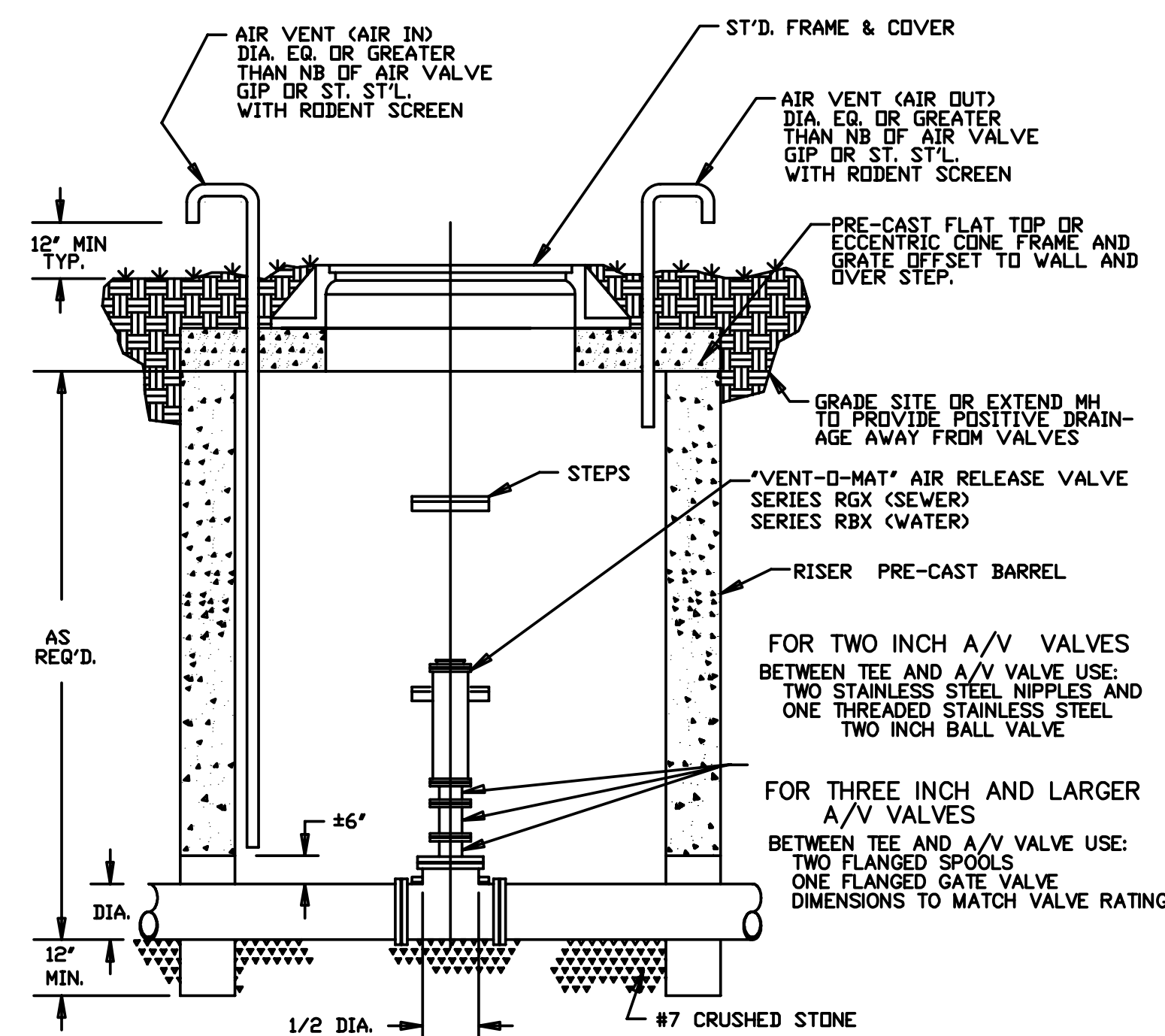
PIPE BEDDING - Backfill material shall not exceed 6 inches in diameter at its greatest dimension. Ductile iron pipe, or concrete encasement shall be used whenever cover is less than 4 feet in roadways or less than 2 1/2 feet in the open. Ductile iron pipe, concrete encasement, or relocation will be required when culverts or conduits are laid such that the top of the sewer is less than 18 inches below the bottom of culvert or conduit. Special care shall be used in placing bedding in the haunching region.

DUCTILE IRON PIPE - Each sewer pipe section will be laid on a 6 inch bed of size No. 7 or size No. 67 compacted crushed stone and shall be backfilled to the springline of the pipe using size No. 7 or size No. 67 compacted crushed stone.

PVC PIPE - Each sewer pipe section shall be completely encapsulated with 6 inch of bedding material. Bedding material shall be size No. 7 or size No. 67 crushed stone.

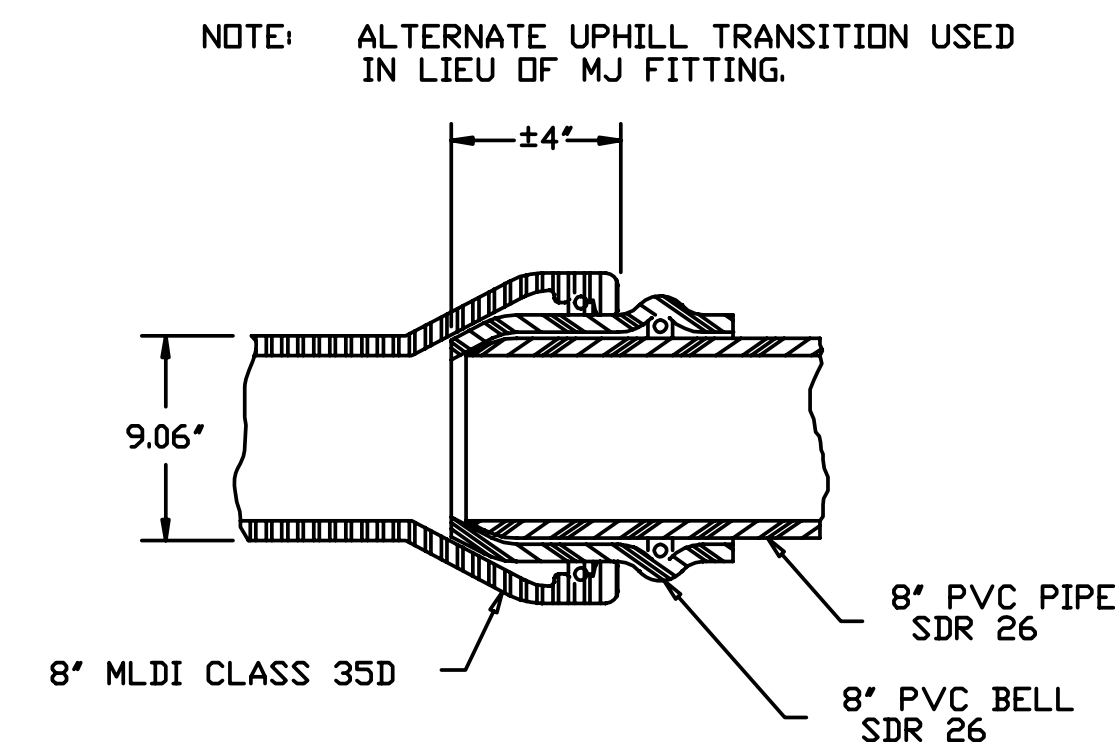


PVC DUCTILE IRON TRENCH DETAIL



- NOTES: 1. ALL MH PARTS TO MEET C.O.M. STANDARDS
 2. PERFORATED COVER MAY BE USED IN LIEU VENTS WITH C.O.M. APPROVAL.
 3. CONTRACTOR TO VERIFY ADEQUATE SIZE OF MANHOLE FOR VALVE USED.

SEWER FORCE MAIN COMBINED AIR/VACUUM RELEASE VALVE



UPHILL TRANSITION

C:\WQC 2005\New City LOGO\NEWLOGO.JPG

**WATER QUALITY CONTROL
 CITY OF MARYVILLE
 MARYVILLE, TENNESSEE**

DRAWN BY: GEF	TITLE: STANDARD DETAIL DWGS. SEWER	SCALE: NONE
APP'D BY: JG		SHEET 2 of 2
DATE: 1-30-97		
REV: 10/27/2008		W.O.

6/2/98 revision to text and general cleanup
 11/6/98 revision to A/V valve details clarify wording add note to check manhole dimensions
 4/16/99 Add detail drawing for transition MLDI to SDR 26 PVC 8" to conform to council approved revisions.
 10/27/05 Change detail for witness pipe on service line markings - rebar to Sched. 40 PVC with paint.